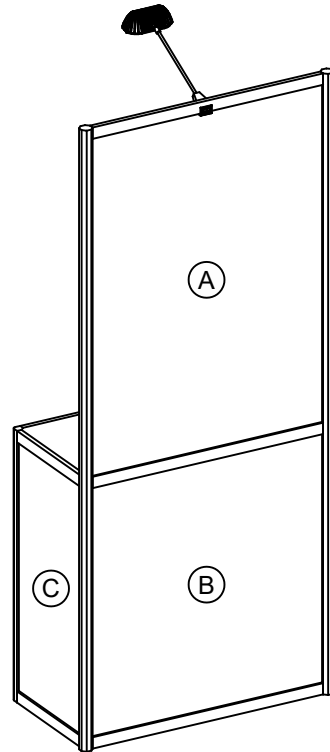
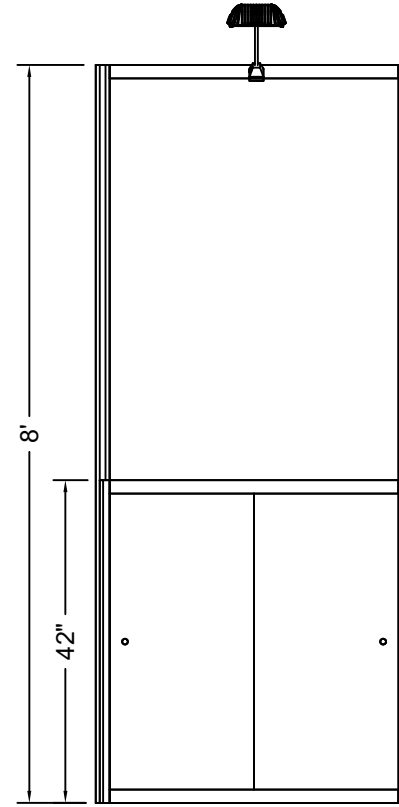


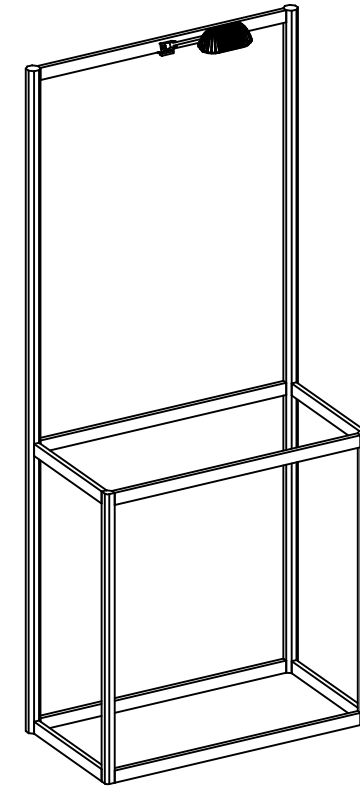
FRONT VIEW



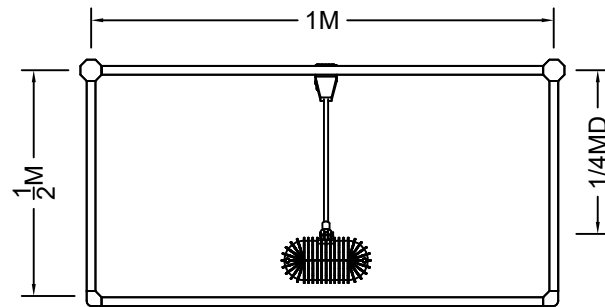
BACK VIEW



FRONT ELEVATION



STRUCTURE VIEW



PLAN VIEW

FULL PULL LIST FOR 1 UNIT (QTY Needed 4)

| I.D. | Qty | Type | Size | Description | Material | Color |
|------|-----|----------------|-------------------|--------------------------|----------|----------|
| | 2 | P80 | 96" | 8'-0" | Aluminum | Silver |
| | 2 | P31 | 42" | 3'-6" (42") | Aluminum | Silver |
| | 4 | H45 | 17-7/8" | 1/2M | Aluminum | Silver |
| | 5 | H45 | 37-9/16" | 1M | Aluminum | Silver |
| A | 1 | Wall Panel | 38-1/8" x 52-3/4" | 1M x 4'-7-3/4" (H45/H45) | PVC 3MM | White |
| B | 1 | Wall Panel | 38-1/8" x 39" | 1M x 3'-6" (H45/H45) | PVC 3MM | White |
| C | 2 | Wall Panel | 18-3/8" x 39" | 1/2M x 3'-6" (H45/H45) | PVC 3MM | White |
| | 2 | Std. Cab. Door | 20" x 38" | 1M x 42" (H45/H45) | PVC | White |
| | 2 | Counter Top | 1Mx1/2M | Inset Rectangle | Melamine | White |
| | 2 | Door Track | 37-9/16" | HDT 1M | Standard | Standard |
| | 2 | Door Track | 37-1/2" | VDT 42" (H45/H45) | Standard | Standard |
| | 1 | Lighting | Standard | Arm Lights-Skanda Light | Standard | Standard |