

NMHC Student Housing Conference Demo Kiosks

October 14 - 16, 2019 | Chicago Marriott Downtown Magnificent Mile | Chicago, IL

Kiosks

NMHC is offering a limited number of kiosks as a cost-efficient way for your company to market your products or services. Eight (8) kiosks are available and provide the opportunity to display collateral and schedule demos.

Kiosks will be centrally located in the hallway of the 5th floor, outside of the general session and breakout rooms. Kiosks will be open for the duration of the conference and **do not require staffing**, allowing your company's representatives to network, attend educational sessions, and frequent the kiosk as needed to replenish materials or hold meetings. We encourage suppliers to leave contact info at their kiosk when unattended.

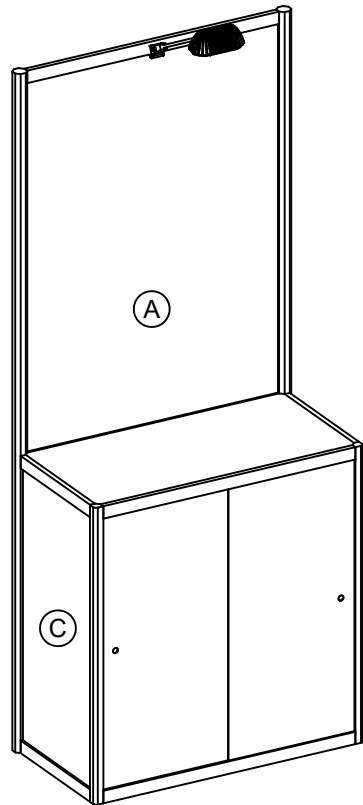
Kiosks are open to NMHC member and non-member firms.

Each kiosk is \$2,500 and includes the following:

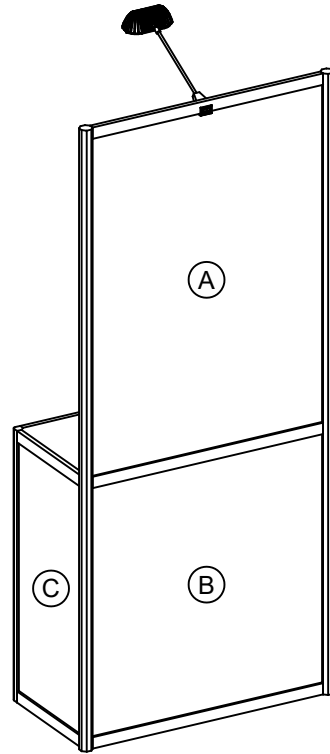
- Modular Kiosk (with storage underneath) (Kiosk is 3.25 ft. wide x 1.5 ft. deep x 8 ft. high)
- Carpeted flooring.
- Free, high-speed Wi-Fi Internet access.
- One standard electrical outlet with electricity (available through the hotel at the company's cost; pricing and order form will be provided closer to the conference.)
- Company logo printed on the back wall of Kiosk (company may instead upgrade and create a custom graphic for the back wall at their own expense. Graphic specifications, artwork deadlines, and pricing will be provided closer to the conference.)
- Company profile and logo included within conference app.
- Listing in the printed on-site agenda.
- Option to send a one-time direct mail campaign to Conference registrants (pre or post show.) through a NMHC designated third-party mail house (contact NMHC for details)
- One (1) free conference registration (*Registration is valued at \$600 members/\$1,200 non-members.*)

Space is limited. **Only 8 kiosks are available.** Kiosks will be assigned on a first come, first serve basis.

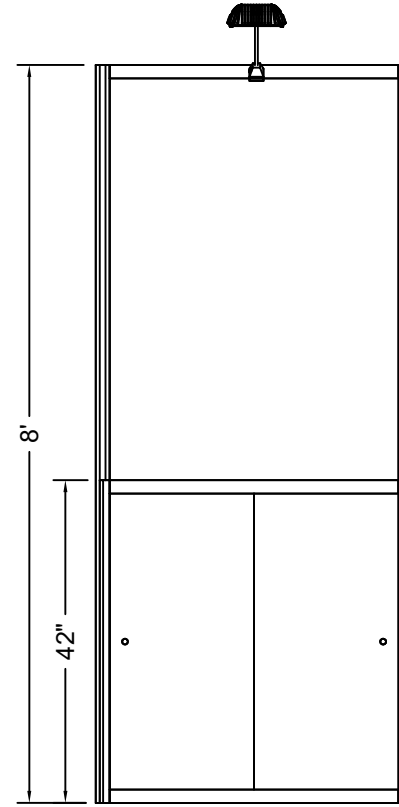
Additional unreserved, non-private meeting space and lounges on the 5th and 7th floors are available for the use of all attendees during conference hours.



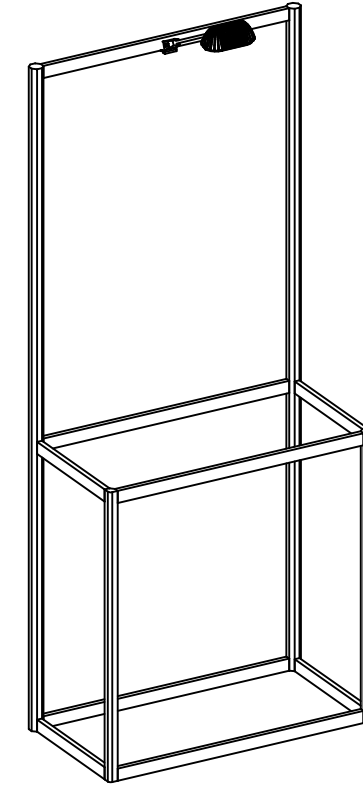
FRONT VIEW



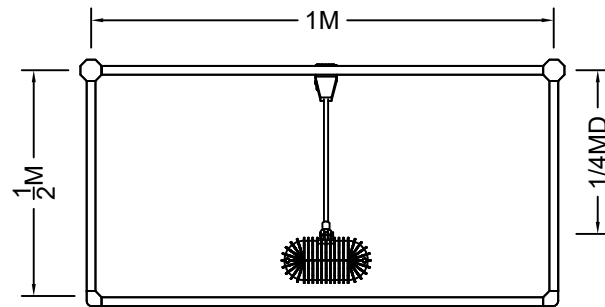
BACK VIEW



FRONT ELEVATION



STRUCTURE VIEW



PLAN VIEW

FULL PULL LIST FOR 1 UNIT (QTY Needed 4)

I.D.	Qty	Type	Size	Description	Material	Color
	2	P80	96"	8'-0"	Aluminum	Silver
	2	P31	42"	3'-6" (42")	Aluminum	Silver
	4	H45	17-7/8"	1/2M	Aluminum	Silver
	5	H45	37-9/16"	1M	Aluminum	Silver
A	1	Wall Panel	38-1/8" x 52-3/4"	1M x 4'-7-3/4" (H45/H45)	PVC 3MM	White
B	1	Wall Panel	38-1/8" x 39"	1M x 3'-6" (H45/H45)	PVC 3MM	White
C	2	Wall Panel	18-3/8" x 39"	1/2M x 3'-6" (H45/H45)	PVC 3MM	White
	2	Std. Cab. Door	20" x 38"	1M x 42" (H45/H45)	PVC	White
	2	Counter Top	1Mx1/2M	Inset Rectangle	Melamine	White
	2	Door Track	37-9/16"	HDT 1M	Standard	Standard
	2	Door Track	37-1/2"	VDT 42" (H45/H45)	Standard	Standard
	1	Lighting	Standard	Arm Lights-Skanda Light	Standard	Standard

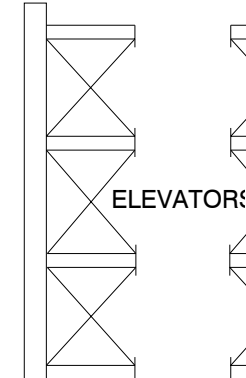
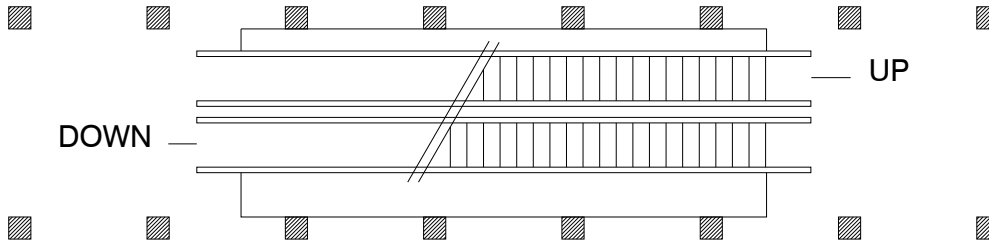
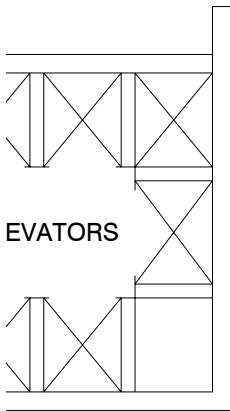
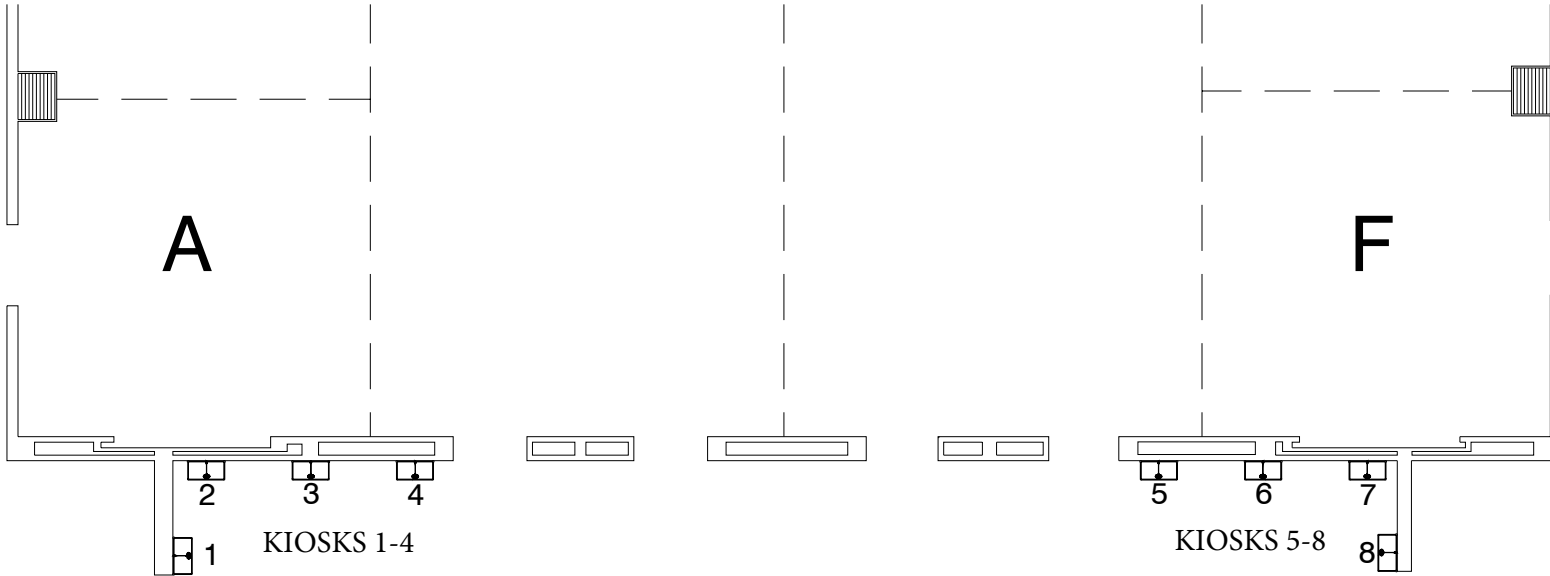
TBT Update Maria Jimenez

APPROVED

2019 NMHC Student Housing Conference

OCTOBER 14 - 16, 2019

CHICAGO MARRIOTT DOWNTOWN MAGNIFICENT MILE - CHICAGO Ballroom 5th Floor - CHICAGO, ILLINOIS



REVISION
Date: 6/3/2019
By: CARLOS D'APARICIO

BOOTH COUNT

BLDG. LEGEND:

DRAWING INFO

Passport Line Item Number:

5632200

Facility:
CHICAGO MARRIOTT DOWNTOWN
MAGNIFICENT MILE

Hall / Level:
CHICAGO GRANDBALL ROOM

City & State:
CHICAGO, ILLINOIS

Scale: CUSTOM

Job #: 000000

AE: BRAD HOBSON

Prod. AE: BRAD HOBSON

Started: 6/3/2019

Started By: CARLOS D'APARICIO

Prod. Branch: CHICAGO

F R E E M A N

Disclaimer - Every effort has been made to ensure the accuracy of all information contained on this floor plan. However, no warranties, either expressed or implied, are made with respect to this floor plan. If the location of building columns, utilities or other architectural components of the facility is a consideration in the construction or usage of an exhibit, it is the sole responsibility of the exhibitor to physically inspect the facility to verify all dimension and locations.
© Copyright 2007, Freeman Co. All rights reserved.

Confidential and Proprietary - the information contained herein is the proprietary information of Freeman and by accessing the information, the recipient agrees to keep the information confidential and not disclose it to any third party without the prior consent of Freeman. Recipient also agrees to only use the information for its internal evaluation purposes and for no other purpose, without the prior consent of Freeman.

File Path: P:\Chicago\Branch\NCRD\Floor plans\Shows\19\10-Oct\National Multifamily Housing Council - 000000\NMHC19 MH 5th Salons.dwg | Tab Name: 8.5x11L